

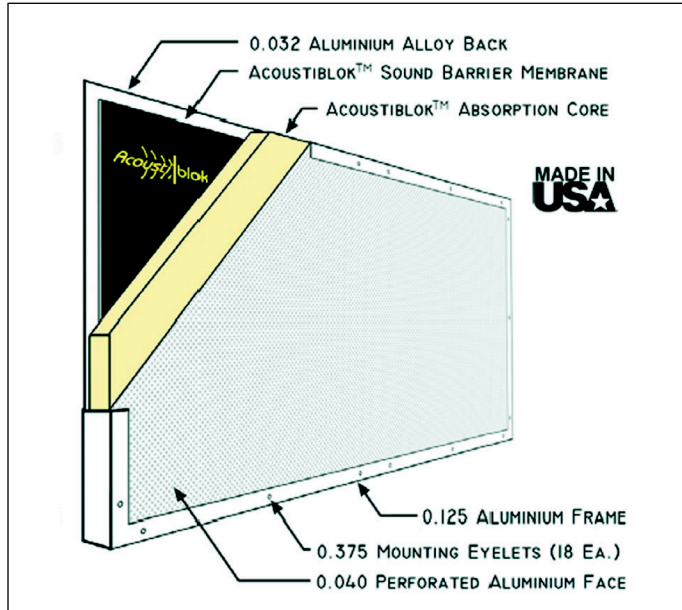


Acoustiblok® sound insulation

Uniclass L68161:P7113	EPIC F852:X724
Ln6 (P2)	

Acoustiblok UK Limited

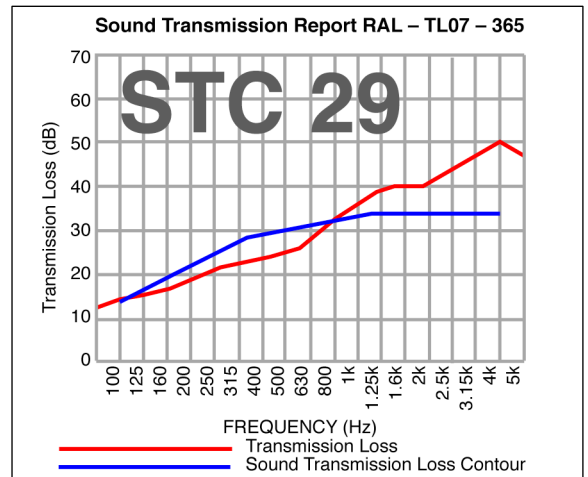
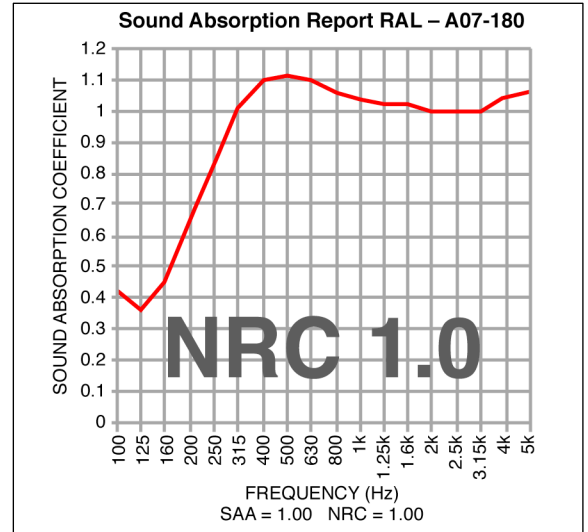
Acoustiblok Acoustic All Weather Sound Panel™



Description

Acoustiblok All Weather Sound Panels™ achieve high STC and NRC ratings. They have been specifically designed to withstand outdoor exposure in full sunlight, extreme weather conditions and harsh industrial environments. (NRC of 1.0 is the highest sound absorption rating possible).

All Weather Sound Panels include an internal layer of U.L. classified Acoustiblok sound isolation material plus a specifically engineered 2" thick weather proof sound absorbing material.

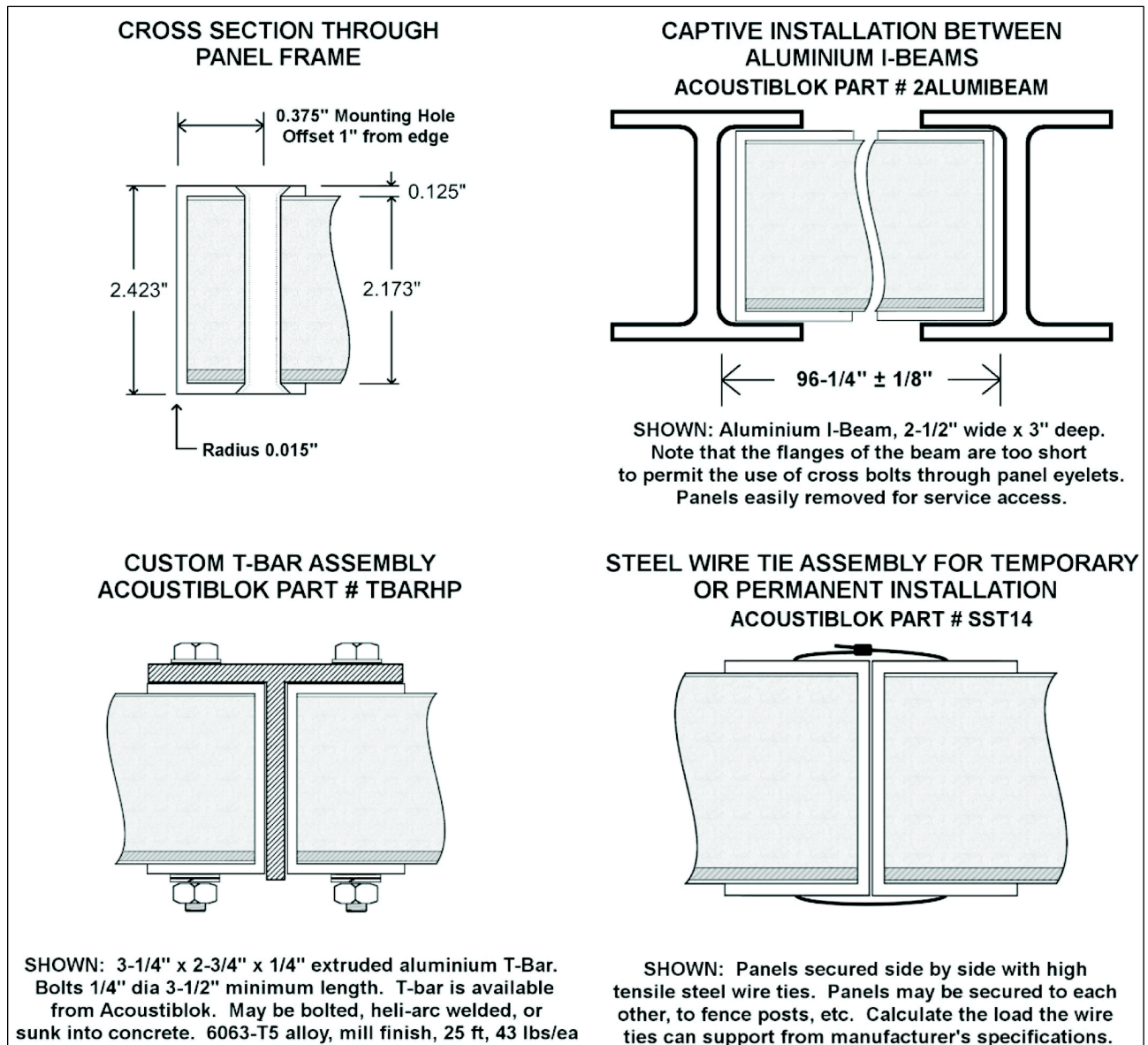


Specifications:	
NRC (Noise Reduction Coefficient): 1.00*	Gross dimensions: up to 48" x 120"x 2.423", ±0.125" custom sizes available on special order.
STC (Sound Transmission Class): 29*	Frame construction: 0.125" welded corrosion resistant 6063-T5 aluminium, mill finish, eyelets: 0.375" (18 ea)
Weight (Dry): 16 kgs p/m ² (approximate dependant on specification)	Front face: 0.040 corrosion resistant 5052-H32 aluminium alloy, 3/32" round holes staggered on 5/32" centers.
TAS202 Uniform Static Air Pressure Test: 188psf ~271mph	Back face: 0.032 corrosion resistant 5052-H32 aluminium alloy, mill finish.
UL Std 723 fire resistance: Flame spread 0, Smoke developed 0.	UV tolerant, animal resistant, washable, does not support mould growth.

* Independent Testing by accredited NVLAP testing facility in compliance with ASTM E90, E 413, and other applicable industry standards. Subject to change without notice, contact Acoustiblok for details.



Acoustiblok Acoustic All Weather Sound Panel™



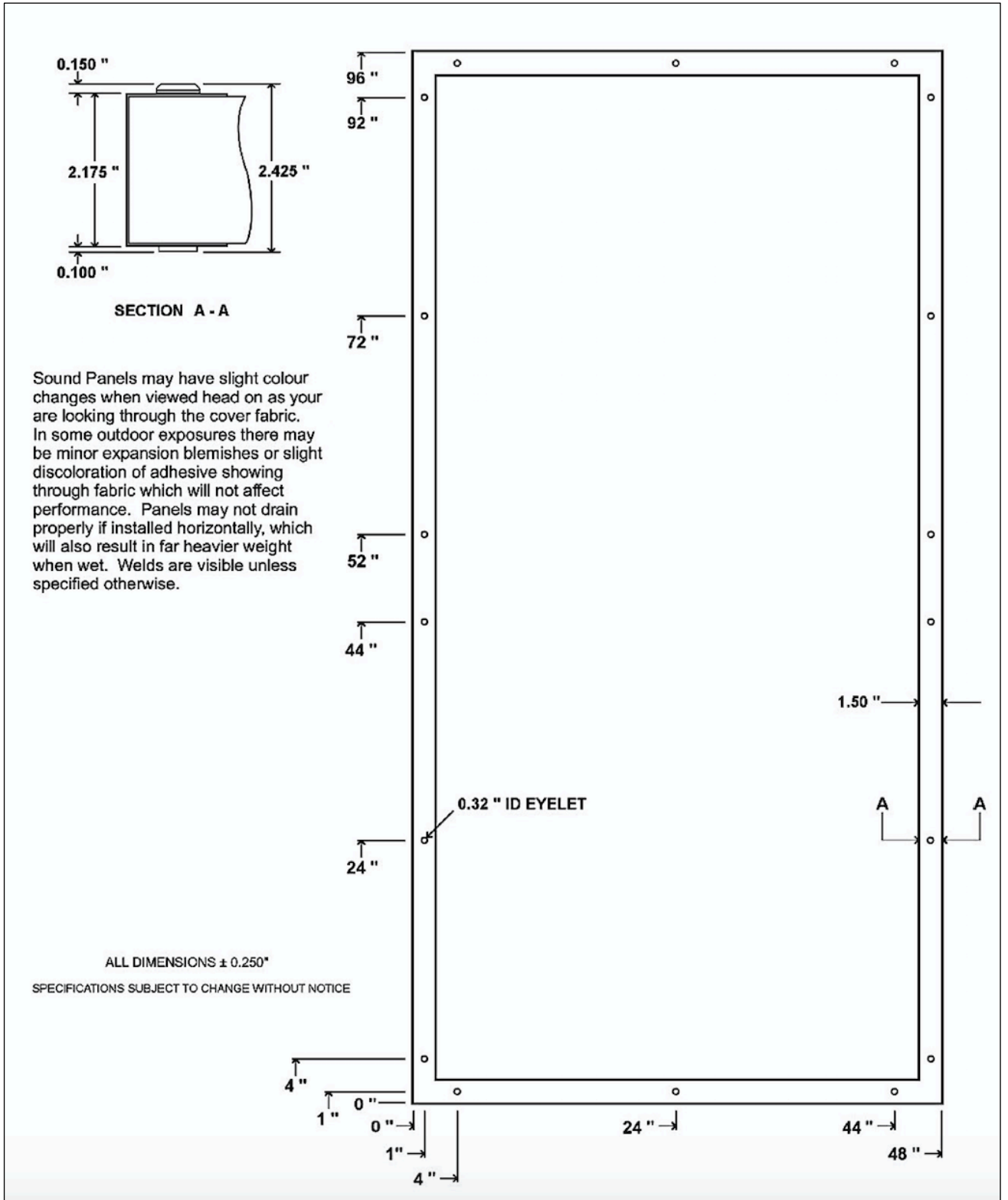
Acoustiblok All Weather Sound Panels™ are suitable for indoor or outdoor use. They may be mounted directly to existing walls and fences with screws, bolts, or steel wire ties. The above cross-section views of installation methods show assembly details of metal framing for free-standing barrier walls and enclosures, and use commonly available stock materials.

Observe close tolerances ($\pm 1/8"$) when installing upright support members. Where practicable, match drill bolt holes for panels with the actual panels in place for guidance. The sound absorbing perforated side of the panel should face the noise source. Attach each panel with a minimum of four bolts per panel for indoor use and 12 bolts per panel for outdoor use.

See separate drawing for panel dimensions and eyelet locations.

These configurations are examples only; many other designs are possible with modular Acoustiblok All Weather Sound Panels™.

Acoustiblok Acoustic All Weather Sound Panel™ Stainless Steel Frame, Dimensional Drawing



Acoustiblok All Weather Sound Panel™ Frameless, Dimensional Drawing

